



HS2000 High Security Enclosure



C494M-E (9/06)

Contents

- Important Safety Instructions 4
- Description 5
 - Option 5
- Installation 6
 - Optional Window Installation 6
 - Replacement Tamper Switch Installation 7
 - Tamper Switch Wiring 7
- Maintenance 8
 - Service Manual 8
- Exploded Assembly Diagram 9
- Specifications 10

Important Safety Instructions

1. Installation and servicing should be done only by qualified service personnel and conform to all local codes.
2. Unless the unit is specifically marked as a NEMA Type 3, 3R, 3S, 4, 4X, 6, or 6P enclosure, it is designed for indoor use only and it must not be installed where exposed to rain and moisture.
3. Only use replacement parts recommended by Pelco.
4. The camera and lens combination shall not exceed 20 lb (9.06 kg).
5. The installation method and materials should be capable of supporting four times the weight of the enclosure, pan/tilt, and camera and lens combination.

The product may bear the following marks:



This symbol indicates that dangerous voltage constituting a risk of electric shock is present within this unit.



This symbol indicates that there are important operating and maintenance instructions in the literature accompanying this unit.

CAUTION:
RISK OF ELECTRIC SHOCK. DO NOT OPEN.

Description

The HS2000 high-security camera enclosure is designed for indoor corner mount installation in such settings as elevators, parking garages, classrooms, offices, and detention cells requiring maximum protection from vandalism in an unobtrusive package. It fits flush to the ceiling in a corner. An impact-resistant clear Lexan® polycarbonate resin thermoplastic window is supplied, and an optional smoked window is available.

Constructed of medium gauge steel, the HS2000 will accept many of the smaller CCD cameras with fixed focal length and auto-iris lenses. There is no exposed mounting hardware securing the HS2000 to its mounting surface. Opening the enclosure can only be accomplished by removing the tamper-resistant screw from the bottom. For additional security, a factory-installed tamper switch is mounted on the secured access cover.

OPTIONAL ACCESSORY

HS200010019	Smoked window, 0.25" (6.35 mm) thick, impact and abrasion-resistant Lexan polycarbonate resin thermoplastic
-------------	---

Installation

Before installing the HS2000 to a wall, make sure that the mounting surface is able to support four times the full weight of the enclosure, camera, and lens.

The tilt table and tilt table mounting brackets may be removed to provide adequate clearance for mounting the enclosure.

NOTE: The four fasteners required to secure the HS2000 to a wall (minimum 3/8" diameter recommended) are not supplied.

To mount the enclosure to a wall (tight to the ceiling), perform the following steps:

1. Remove the cover from the mounting bracket. A special socket is provided (fits 1/4" square drive).
2. Using the mounting bracket as a template, mark and drill holes in the mounting surface.
3. Attach the enclosure with the required fasteners.
4. Route the required cables through the back or top.
5. Mount the camera/lens to the tilt table.
6. Make all appropriate connections: camera power, video [coax], and lens.
7. Position the camera and tighten the 1/4-20 fasteners to secure the tilt table in place.
8. Replace the cover and secure with the 1/4-20 tamper-resistant screw that is provided.

NOTE: A plate is provided to prevent access through the top of this enclosure. If needed, it is mounted with the mounting bracket using the same mounting holes and hardware.

OPTIONAL WINDOW INSTALLATION

The HS2000 is provided with a clear 0.25" (6.35 mm) thick viewing window. An optional smoked window, HS200010019, is available.

Instructions for installing the optional smoked window are as follows:

1. Remove the cover from the mounting bracket. A special socket is provided.
2. Remove the four 1/4-20 elastic locknuts and 1/4" flat washers.
3. Remove the window.
4. Remove the protective coatings from the new window and place the window over the four 1/4-20 studs.
5. Replace the hardware and replace the cover.

REPLACEMENT TAMPER SWITCH INSTALLATION

The HS2000 enclosure comes with a tamper switch installed. If you need to install a replacement switch, refer to Figure 1 for the correct position of the switch and perform the following steps:

1. Remove the front cover.
2. Install the switch and secure with lock washers and nuts.

TAMPER SWITCH WIRING

The tamper switch comes with normally open and normally closed contacts.

For a normally open circuit, use the “open” and “common” terminals; for a normally closed circuit, use the “closed” and “common” terminals.

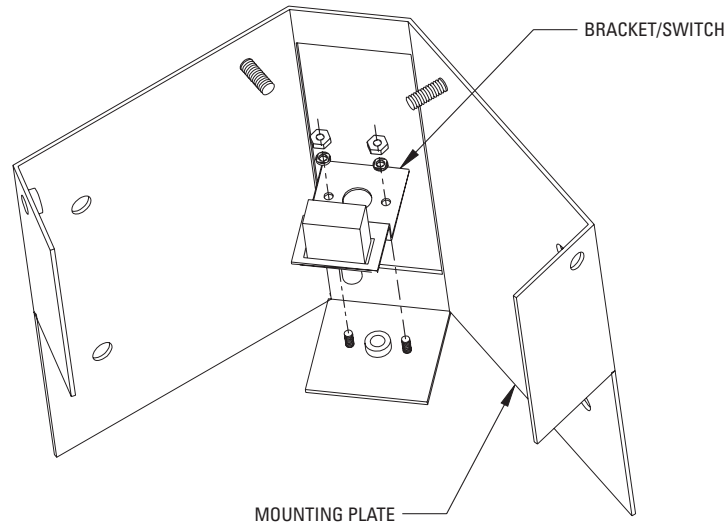


Figure 1. HS2000 Series Tamper Switch Installation

Maintenance

Maintenance performed at regularly scheduled intervals will help prolong the operational life and appearance of the equipment.

Clean the window with a mild nonabrasive detergent in water and a soft cloth regularly to help maintain picture clarity. For a heavily soiled window, use vinyl cleaner.

SERVICE MANUAL

If you need to repair the camera enclosure, obtain a service manual in one of the following ways:

- Go to Pelco's website at www.pelco.com and find service manual C494SM.
- Contact Pelco's Literature Department and request service manual C494SM.

Exploded Assembly Diagram

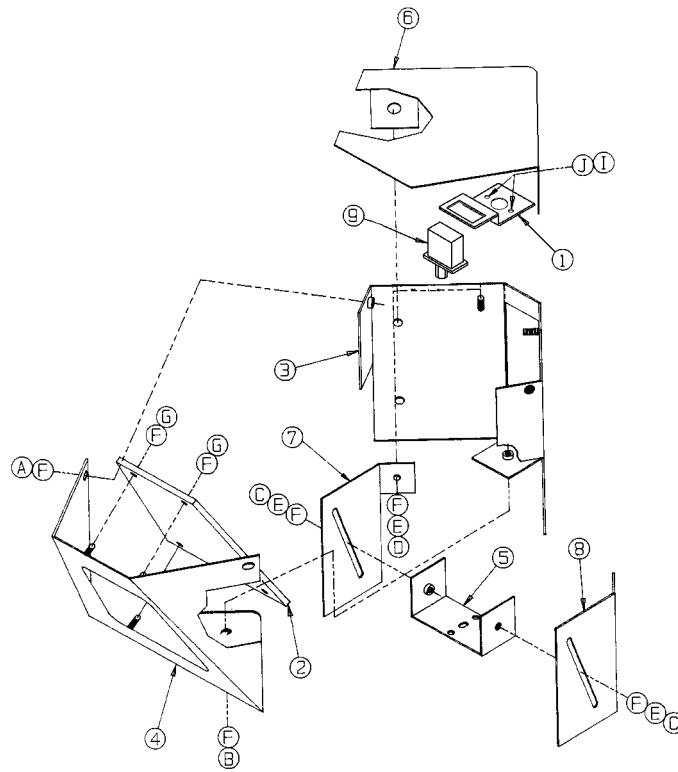


Figure 2. HS2000 Exploded Assembly Diagram

Table A. Mechanical Parts List

Item No.	Qty	Description	Part Number
①	1	Bracket, switch, break-in	HS10004313COMP
②	1	Window, 8" x 7" x 0.25" drilled MR10 clear Lexan thermoplastic	MF00-0250-001A
③	1	Plate, mounting	HS20004001COMP
④	1	Cover, front, beige	HS20004003COMP
⑤	1	Tilt table	HS20004007COMP
⑥	1	Cover, top, corner mount	HS20004023COMP
⑦	1	Bracket, mount, tilt table, left	HS20004115COMP
⑧	1	Bracket, mount, tilt table, right	HS20004215COMP
⑨	1	Switch, tamper	SWI1DM401
(A)	2	Screw, 1/4-20 x 1/2", round, tamper-resistant, #10, stainless steel	ZH1/4-20X.50SRT
(B)	1	Screw, 1/4-20 x 3/4", round, tamper-resistant, #10, stainless steel	ZH1/4-20X.75SRT
(C)	2	Bolt, 1/4-20 x 5/8", hex cap head, stainless steel	ZH1/420X.625CH
(D)	2	Nut, hex, 1/4-20, stainless steel	ZH1/4-20NUTCH
(E)	4	Washer, split lock, 1/4", stainless steel	ZH1/4LWSSL
(F)	11	Washer, flat, 3/16", special, stainless steel	ZH260X562X65C
(G)	4	Nut, lock, 1/4-20 nylon insert, stainless steel	ZH1/420NUTCHN
(H)	1	Socket, tamper-resistant #10, 1/4" drive (not shown)	ZT SOCKET10
(I)	2	Nut, hex, 6-32, stainless steel	ZH6-32NUTSH
(J)	2	Washer, lock, internal tooth, #6, stainless steel	ZH6LWSIS

Specifications

Mechanical

Camera Mounting	Adjustable tilt table
Maximum Camera/Lens Size	Accepts camera/lens combinations (including BNC connector) up to 3.0" H x 3.0" W x 6.0" L (7.62 x 7.62 x 15.24 cm)
Enclosure Mounting	Four 0.390-inch (0.99 cm) diameter holes on protected rear surface
Security	Tamper-resistant screw; N.O./N.C. switch contact on cover
Tamper Switch	Plunger type door switch with "pull to cheat" feature. N.O./N.C. contacts clearly marked on body of switch. DM electrical rating: 10 A, 125 VAC.

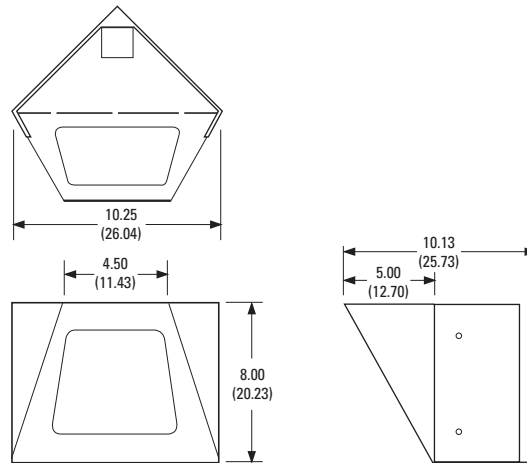
Electrical

Cable Entry	Access through back and top
Tamper Switch	0.250-inch (0.63 cm) quick connect. N.O./N.C. clearly marked on switch body. 10 A maximum switching current, 125 VAC maximum switching voltage

General

Window	0.250-inch (6.35 mm) thick impact and abrasion-resistant, clear Lexan polycarbonate resin thermoplastic
Construction	Formed 14 gauge 0.074-inch (0.19 cm) steel
Finish	Gray polyester powdercoat
Environment	Indoor; 32° to 120°F (0° to 49°C)
Unit Weight	7.77 lb (3.52 kg)

(Design and product specifications are subject to change without notice.)



NOTE: VALUES IN PARENTHESES ARE CENTIMETERS; ALL OTHERS ARE INCHES.

PRODUCT WARRANTY AND RETURN INFORMATION

WARRANTY

Pelco will repair or replace, without charge, any merchandise proved defective in material or workmanship **for a period of one year** after the date of shipment.

Exceptions to this warranty are as noted below:

- Five years on FR/FT/FS Series fiber optic products and TW3000 Series unshielded twisted pair transmission products.
- Three years on Genex® Series products (multiplexers, server, and keyboard).
- Three years on Camclosure® and fixed camera models, except the CC3701H-2, CC3701H-2X, CC3751H-2, CC3651H-2X, MC3651H-2, and MC3651H-2X camera models, which have a five-year warranty.
- Three years on PMCL200/300/400 Series LCD monitors.
- Two years on standard motorized or fixed focal length lenses.
- Two years on Legacy®, CM6700/CM6800/CM9700 Series matrix, and DF5/DF8 Series fixed dome products.
- Two years on Spectra®, Esprit®, ExSite™, and PS20 scanners, including when used in continuous motion applications.
- Two years on Esprit® and WW5700 Series window wiper (excluding wiper blades).
- Two years (except lamp and color wheel) on Digital Light Processing (DLP®) displays. The lamp and color wheel will be covered for a period of 90 days. The air filter is not covered under warranty.
- Eighteen months on DX Series digital video recorders, NVR300 Series network video recorders, and Endura™ Series distributed network-based video products.
- One year (except video heads) on video cassette recorders (VCRs). Video heads will be covered for a period of six months.
- Six months on all pan and tilts, scanners or preset lenses used in continuous motion applications (that is, preset scan, tour and auto scan modes).

Pelco will warrant all replacement parts and repairs for 90 days from the date of Pelco shipment. All goods requiring warranty repair shall be sent freight prepaid to Pelco, Clovis, California. Repairs made necessary by reason of misuse, alteration, normal wear, or accident are not covered under this warranty.

Pelco assumes no risk and shall be subject to no liability for damages or loss resulting from the specific use or application made of the Products. Pelco's liability for any claim, whether based on breach of contract, negligence, infringement of any rights of any party or product liability, relating to the Products shall not exceed the price paid by the Dealer to Pelco for such Products. In no event will Pelco be liable for any special, incidental or consequential damages (including loss of use, loss of profit and claims of third parties) however caused, whether by the negligence of Pelco or otherwise.

The above warranty provides the Dealer with specific legal rights. The Dealer may also have additional rights, which are subject to variation from state to state.

If a warranty repair is required, the Dealer must contact Pelco at (800) 289-9100 or (559) 292-1981 to obtain a Repair Authorization number (RA), and provide the following information:

1. Model and serial number
2. Date of shipment, P.O. number, Sales Order number, or Pelco invoice number
3. Details of the defect or problem

If there is a dispute regarding the warranty of a product which does not fall under the warranty conditions stated above, please include a written explanation with the product when returned.

Method of return shipment shall be the same or equal to the method by which the item was received by Pelco.

RETURNS

In order to expedite parts returned to the factory for repair or credit, please call the factory at (800) 289-9100 or (559) 292-1981 to obtain an authorization number (CA number if returned for credit, and RA number if returned for repair).

All merchandise returned for credit may be subject to a 20% restocking and refurbishing charge.

Goods returned for repair or credit should be clearly identified with the assigned CA or RA number and freight should be prepaid. Ship to the appropriate address below.

If you are located within the continental U.S., Alaska, Hawaii or Puerto Rico, send goods to:

Service Department
Pelco
3500 Pelco Way
Clovis, CA 93612-5699

If you are located outside the continental U.S., Alaska, Hawaii or Puerto Rico and are instructed to return goods to the USA, you may do one of the following:

If the goods are to be sent by a COURIER SERVICE, send the goods to:

Pelco
3500 Pelco Way
Clovis, CA 93612-5699 USA

If the goods are to be sent by a FREIGHT FORWARDER, send the goods to:

Pelco c/o Expeditors
473 Eccles Avenue
South San Francisco, CA 94080 USA
Phone: 650-737-1700
Fax: 650-737-0933

 **Green** The materials used in the manufacture of this document and its components are compliant to the requirements of Directive 2002/95/EC.



This equipment contains electrical or electronic components that must be recycled properly to comply with Directive 2002/96/EC of the European Union regarding the disposal of waste electrical and electronic equipment (WEEE). Contact your local dealer for procedures for recycling this equipment.

REVISION HISTORY

Manual #	Date	Comments
C494M	5/90	Original version.
C494M-A	9/93	Put into two-column format. Exploded assembly diagram and parts list updated.
C494M-B	9/95	Rev. B. Revised to include wiring instructions for tamper switch and put into new two-column format.
C494M-C	11/95	Rev. C. Revised to include updated tamper switch/bracket part numbers and exploded view diagram.
C494M-D	1/96	Rev. D. Revised to include tamper switch installation, specification description and new part numbers per ECO 95-397.
	4/96	Revised Section 7.0, item no. 1 to part number HS10004313COMP.
C494M-E	9/06	Updated to new format. Revised per ECO 05-13392. Removed obsolete models. Updated parts list per ECO 06-14885 and 06-13896.

Pelco, the Pelco logo, Camclosure, Esprit, Genex, Legacy, and Spectra are registered trademarks of Pelco.
Endura and ExSite are trademarks of Pelco.
DLP is a registered trademark of Texas Instruments, Inc.
Lexan is a registered trademark of the General Electric Company.

©Copyright 2006, Pelco. All rights reserved.



Worldwide Headquarters
3500 Pelco Way
Clovis, California 93612 USA

USA & Canada
Tel: 800/289-9100
Fax: 800/289-9150

International
Tel: 1-559/292-1981
Fax: 1-559/348-1120

www.pelco.com

ISO9001